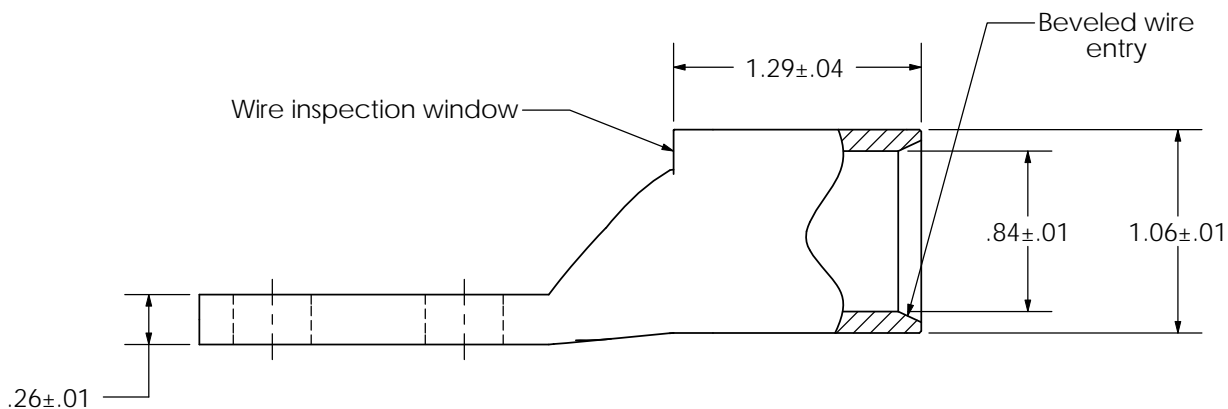
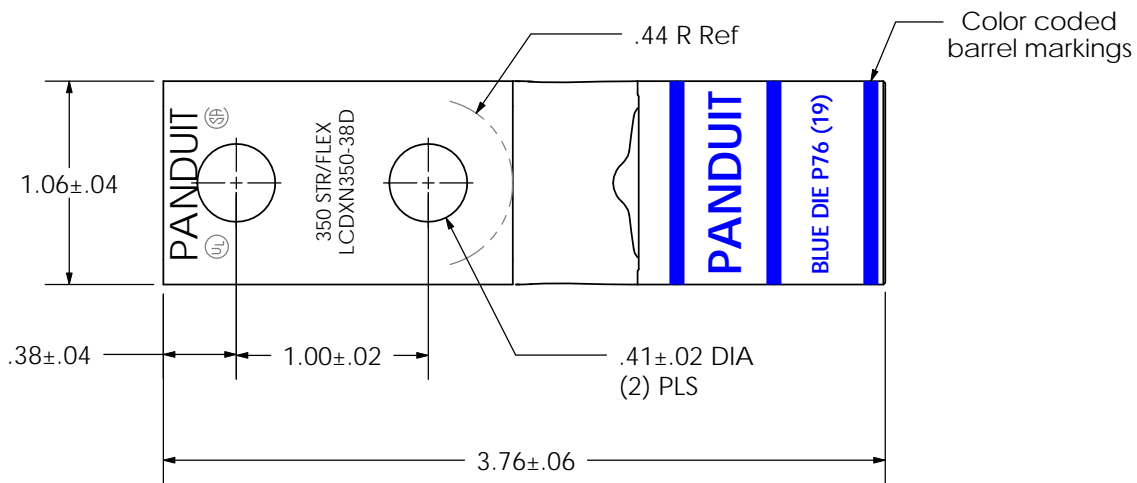


THIS COPY IS PROVIDED ON A RESTRICTED BASIS AND IS NOT TO BE USED IN ANY WAY DETRIMENTAL TO THE INTERESTS OF PANDUIT CORP.

Material	High Conductivity Seamless Copper Tube
Plating	Electro-Tin
Wire Size	350 STR/FLEX
Wire Type	Stranded Copper: Class G, H, I, K, M, Locomotive
Wire Strip Length	1-3/8 in.
Stud Size	3/8 in.
UL Listed Wire Connector	Yes, for applications up to 35kv. Consult cable manufacturer for voltage stress relief instructions with applications greater than 2000 volts.
UL Temperature Rating	90° C
C.S.A Certified Wire Connector	Yes
Panduit Color Code on Barrel	BLUE
Panduit Die Index No. on Barrel	P76
Alternate Industry Die Index No. () on Barrel	(19)



REV	DATE	BY	CHK	DESCRIPTION	ECN	SCALE	DRAWING NO / CAD FILE
02	1/11	JHNU	JHNU	REVISED OVERALL LENGTH: WAS 3.74 REVISED TONGUE THICKNESS: WAS .22		N/A	LCDXN350-38D-6 Copper Lug - Narrow Tongue, Two-Hole, Standard Flex Barrel

PANDUIT CORP. TINLEY PARK, ILLINOIS

LCDXN350-38D-6
Copper Lug - Narrow Tongue, Two-Hole, Standard Flex Barrel

DRAWING NO / CAD FILE
LCDXN350-38D-CUST